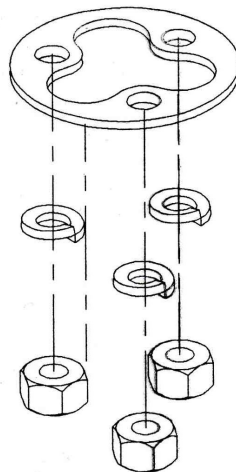
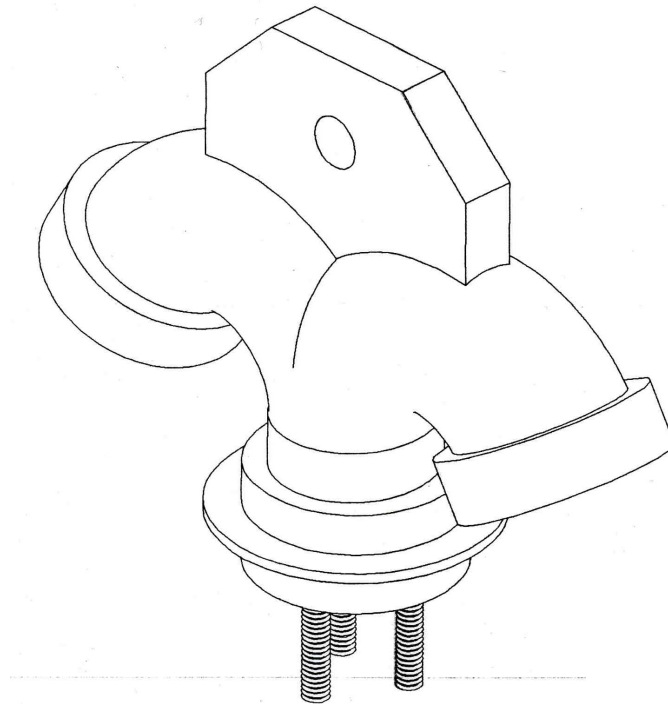




# COST CAST, INC

TRAFFIC SIGNAL AND SIGN MOUNTING HARDWARE

## Span Wire Hanger Single Wire Entrance Fitting 1976-D-U3



- Cast From High Quality Certified Aluminum Ingot
- Certified Stainless Steel Hardware
- Natural Aluminum Finish Powder Coating Available
- Neoprene Grommet Included for Weather Resistance



COST CAST, INC. MANUFACTURES THE "ZERO FAILURE" TRAFFIC SIGNAL HARDWARE EXCLUSIVELY MADE IN AMERICA.