

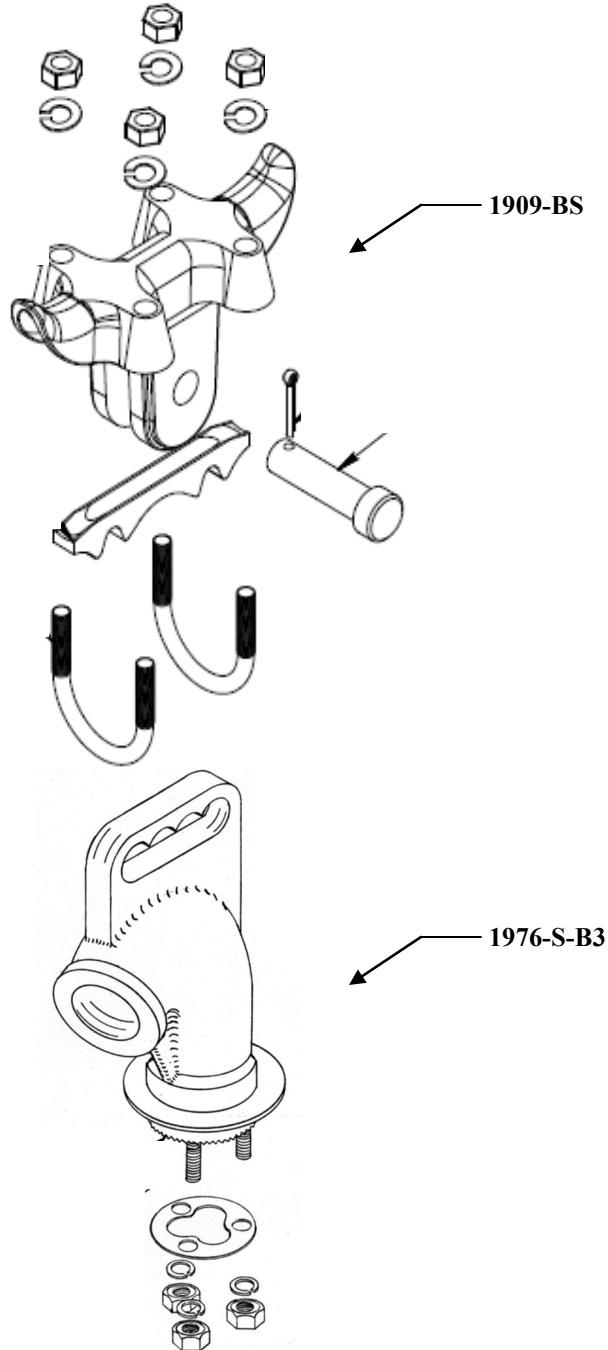


COST CAST, INC

TRAFFIC SIGNAL AND SIGN MOUNTING HARDWARE

Span Wire Hanger

Single Wire Entrance Fitting 1976-S-B3 and 1909-BS



- Cast From High Quality Certified Aluminum Ingot
- Certified Stainless Steel Hardware
- Black Weather Resistant Powder Coating, Other Colors Available
- Neoprene Grommet Included



COST CAST, INC. MANUFACTURES THE "ZERO FAILURE" TRAFFIC SIGNAL HARDWARE EXCLUSIVELY MADE IN AMERICA.