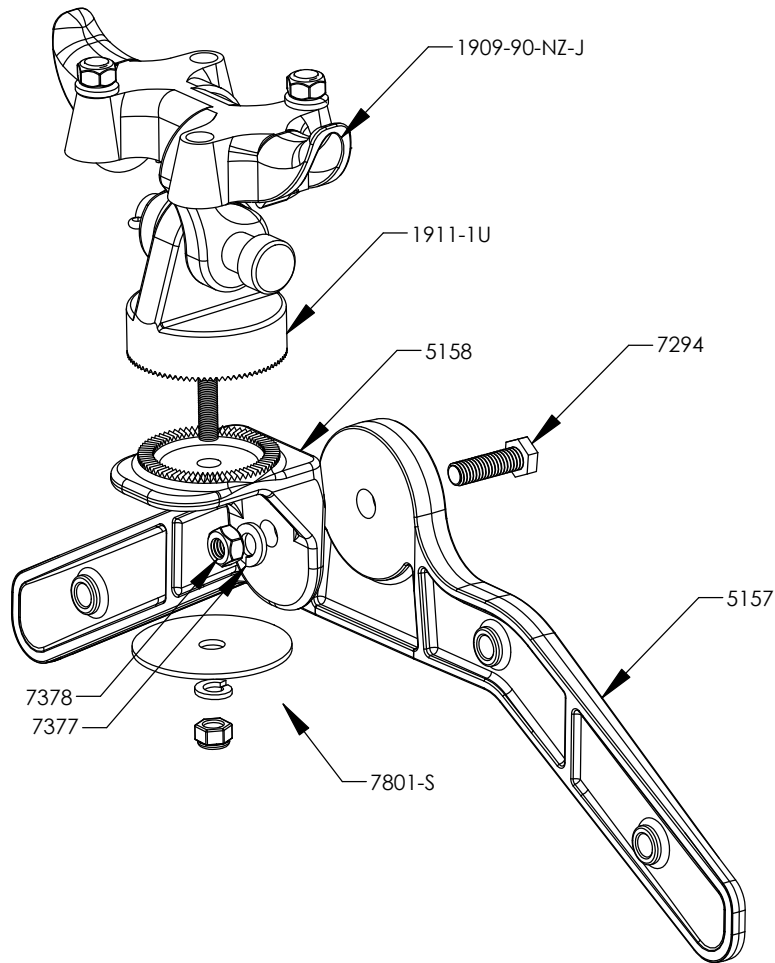


REV.	DESCRIPTION	DATE
A	Initial Release	8/4/14



ITEM NO.	PART DESCRIPTION	
<b>1909-90-NZ-J</b>	<b>1909 Span Wire Clamp Kit, 90 Degree Clevis, Zinc Rivet J-Bolts</b>	1
<b>1911-1U</b>	<b>1911 Single Eye Balance Adjuster, Single Stud</b>	1
7801-S	Single Stud Washer Kit	1
<b>5158</b>	<b>1941 Flat Sign Elbow, Serrated</b>	1
<b>5157</b>	<b>1941 Top of Sign Hanger, Angled</b>	1
7294	1/4"-20 x 5/8" Cap Screw, Hex Head	1
7378	3/8"-16 Hex Nut	1
7377	3/8" Washer, Lock	1

NAME	DATE	UNLESS OTHERWISE SPECIFIED:	COST CAST, INC			
DRAWN	ACW	3/24/16	DIMENSIONS ARE IN INCHES TOLERANCES: FRACTIONAL ± ANGULAR: MACH ± 1/32" TWO PLACE DECIMAL ± .03" THREE PLACE DECIMAL ± .010"	<b>TITLE:</b> 1941-91-1 Top of Sign Hanger 1909 Span Wire Clamp Perp 1911-1U Single Stud		
CHECKED	HERB	3/24/16				
ENG APPR.	BT	3/24/16				
MFG APPR.						
Q.A.			INTERPRET GEOMETRIC TOLERANCING PER:	SIZE	DWG. NO.	REV
<b>PROPRIETARY AND CONFIDENTIAL</b> THE INFORMATION CONTAINED IN THIS DRAWING IS THE SOLE PROPERTY OF COST CAST, INC. ANY REPRODUCTION IN PART OR AS A WHOLE WITHOUT THE WRITTEN PERMISSION OF COST CAST, INC. IS PROHIBITED.			MATERIAL	<b>A</b>	13835	<b>A</b>
			FINISH	VARIOUS		
			DO NOT SCALE DRAWING			SCALE: 1:10

5

4

3

2

1